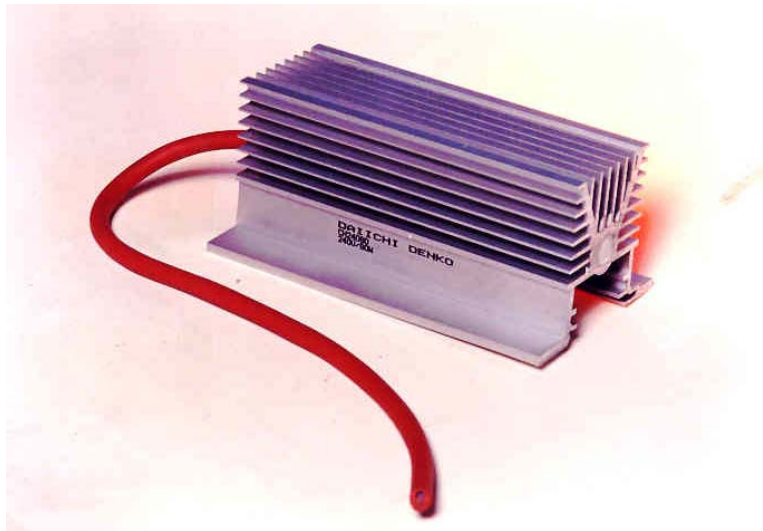


DAIICHI DENKO Anti-Condensation Heater

Model : CH24080



Careful thermal management of the internal environmental air has become an essential factor because of increasing demands for extending the life of enclosed control systems.

Daiichi Denko Model : CH24080 anti-condensation heater is designed to maintain the temperature inside of an enclosure several degrees above surrounding ambient temperature and above the dew point. This will eliminate condensed water vapour contained inside an enclosure.

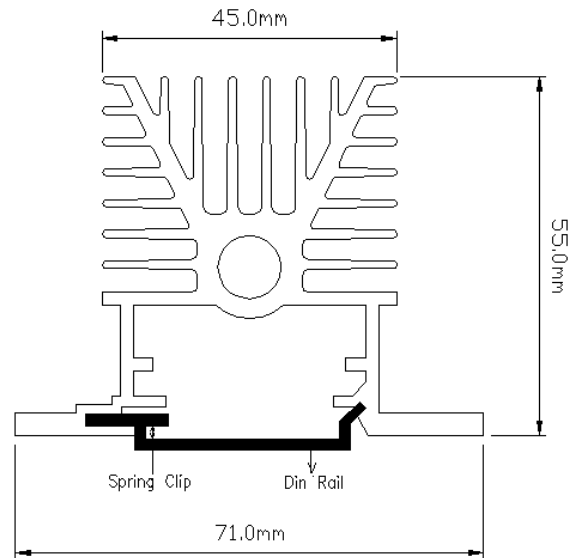
Relative air humidity of 65% and upwards, is considered to be problematic, if un-addressed, it can cause corrosion and failures of components such as relays, switch gear, PCBs and electromechanical assemblies.

FEATURES

- No thermostat is required.
- Self regulated heating.
- No moving parts to wear out.
- Compact size and high watt density.
- Uniform heat output.
- Corrosion resistance aluminium.
- Easy mounting – Spring Clip fastener or screw on to panel base.

SPECIFICATIONS

- Rated Power : Thermal Output 80W
 - Voltage : 240VAC
 - Termination : Silicone rubber insulated cable (2 x 0.75mm²)
 - Profile Material : Aluminium, natural anodized
 - Size : 71mmW x 55mmH x 125mmL
- (others voltage and power rating available upon request)



APPLICATIONS

- Industrial Enclosure
- Control and Monitoring Systems
- Switch Cabinet
- Panel Board
- Free-standing electronic equipment & meters
- Others